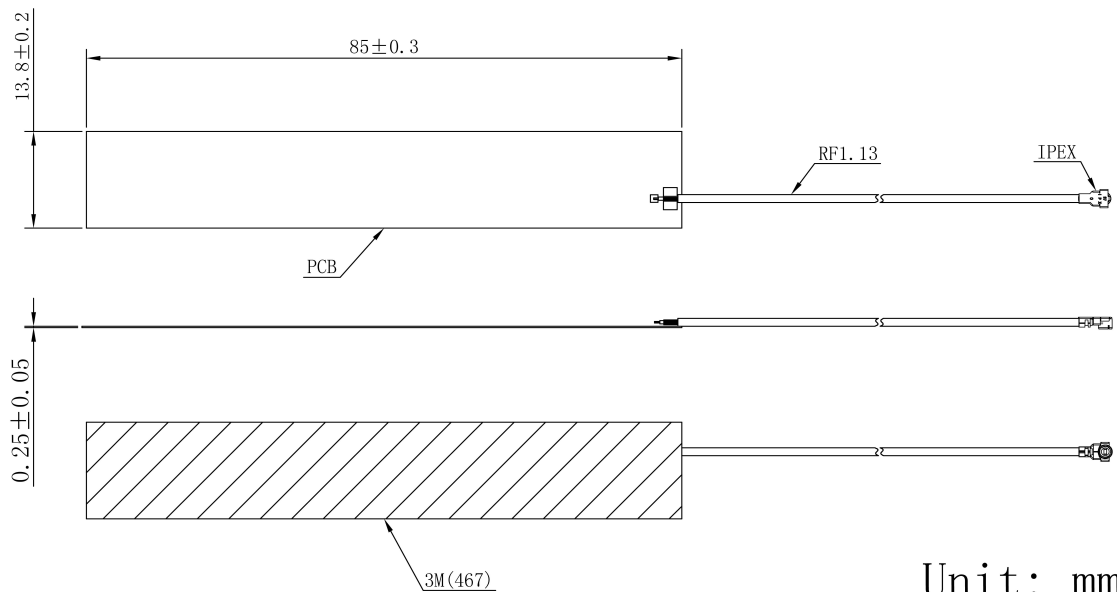


LTE Internal Antenna JCG155L



DIMENSIONS

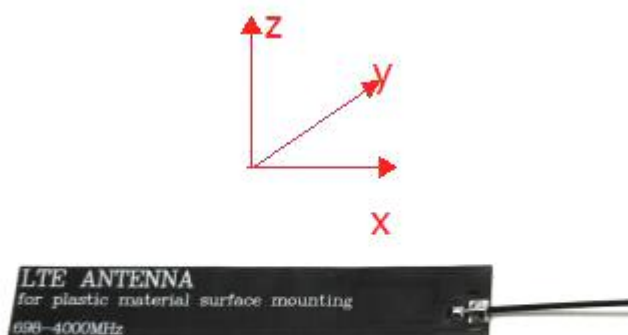


Unit: mm

SPECIFICATIONS

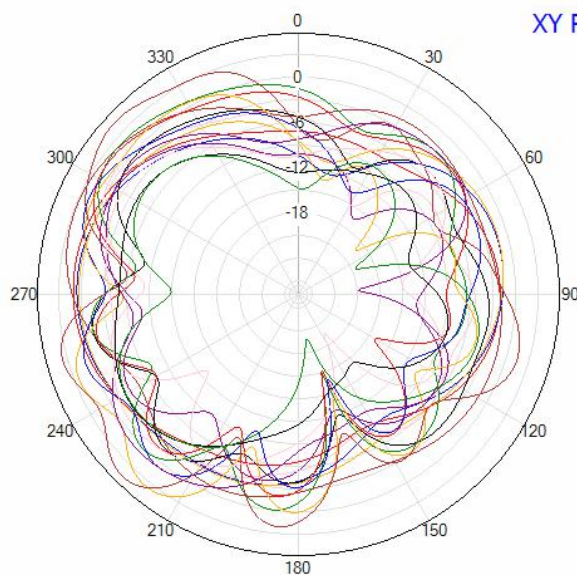
Item	Specifications	
Antenna	Frequency Range	698~4000MHz
	Polarization	Linear
	Gain	1.2dBi@698MHz 5.2dBi@1710MHz 2.7dBi@3300MHz
	V.S.W.R	<3.0
	Impedance	50 Ω
	FPC Dimension	85*13.8*0.2mm
	Mechanical	Cable
Connector		IPEX
Mounting Method		Adhesive&Embedded
Environmental	Operating Temperature	-40°C~+85°C
	Vibration	10 to 55Hz with 1.5mm amplitude 2hours
	Environmentally Friendly	ROHS Compliant

Radiation Pattern



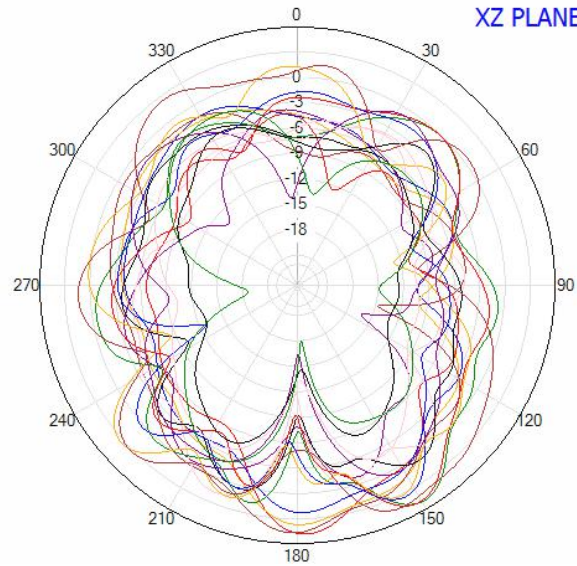


Jinchang Electron Global Service



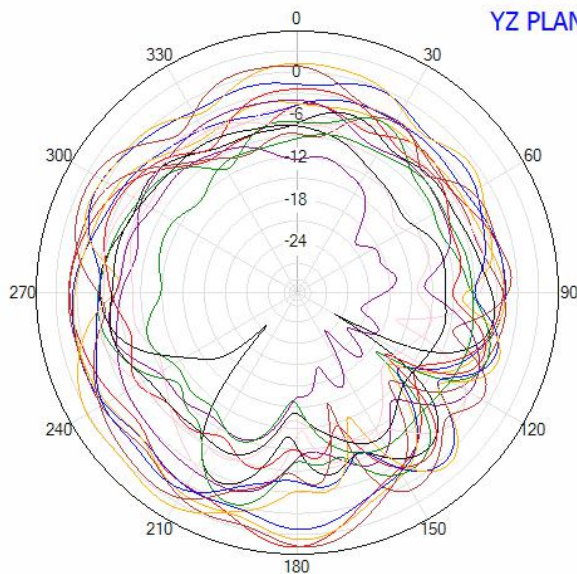
XY PLANE

- 1710MHz
- 1850MHz
- 1990MHz
- 2170MHz
- 2300MHz
- 2400MHz
- 2500MHz
- 2690MHz
- 3300MHz
- 3500MHz
- 3600MHz
- 3800MHz
- 698MHz
- 824MHz
- 868MHz
- 960MHz



XZ PLANE

- 1710MHz
- 1850MHz
- 1990MHz
- 2170MHz
- 2300MHz
- 2400MHz
- 2500MHz
- 2690MHz
- 3300MHz
- 3500MHz
- 3600MHz
- 3800MHz
- 698MHz
- 824MHz
- 868MHz
- 960MHz



YZ PLANE

- 1710MHz
- 1850MHz
- 1990MHz
- 2170MHz
- 2300MHz
- 2400MHz
- 2500MHz
- 2690MHz
- 3300MHz
- 3500MHz
- 3600MHz
- 3800MHz
- 698MHz
- 824MHz
- 868MHz
- 960MHz

JIAXING JINCHANG ELECTRONIC TECHNOLOGY CO.,LTD

Add: 398#,Zhenye Road, South Street, Jiaxing, Zhejiang, China

Http:// www.jinchanggps.com

E-mail:jcgps@vip.163.com

Tel: 86-0573-83692157/83692605/83958637 Fax:86-0573-83958635