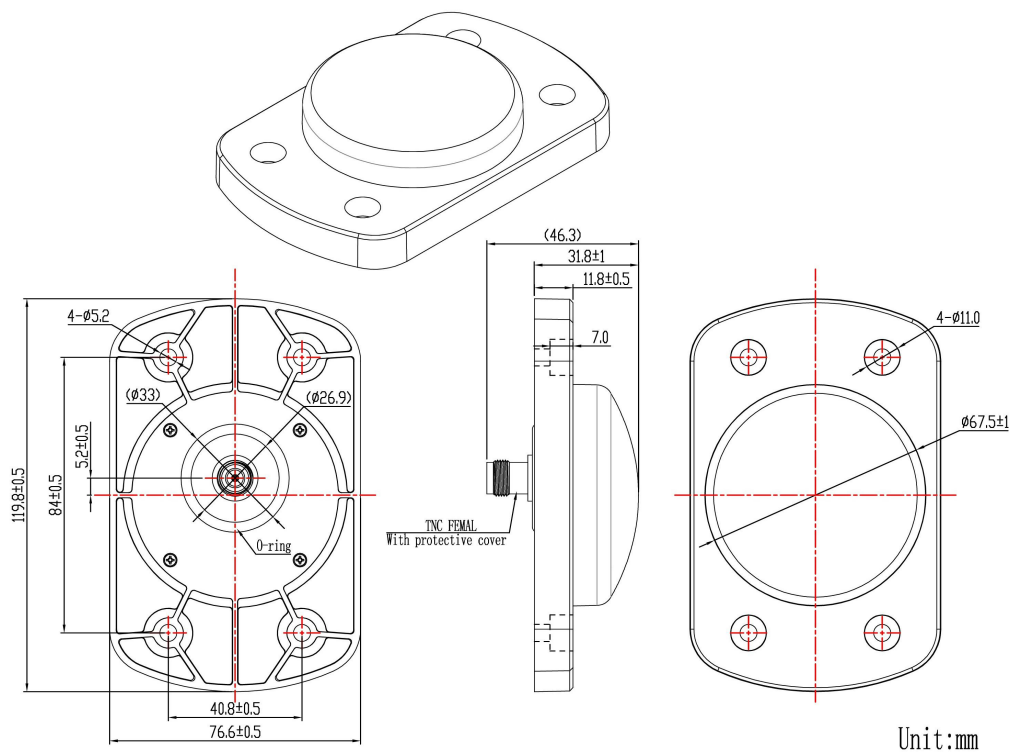


# GNSS Antenna

## JCA234D



### DIMENSIONS



**SPECIFICATIONS**

Item		Specifications
Antenna	Frequency	GPS L1/L2 GLONASS G1/G2 COMPASS B1/B2/B3 Galileo E1/E2/E5b/E6
	Polarization	RHCP
	Axial Ratio	$\leq 3\text{dB}$
	V.S.W.R	$\leq 1.5$
	Peak Gain	$\geq 3\text{dBi}$
	Impedance	$50\ \Omega$
	Horizontal coverage angle	$360^\circ$
	Vertical Coverage Angle	$5^\circ \sim 90^\circ$
LNA	Gain	$40 \pm 2\text{dB}$
	Noise Figure	$\leq 1.5\text{dB}$
	Passband fluctuation	$\pm 1\text{dB}$
	Supply Voltage	3~12V DC
	Current Consumption	$\leq 50\text{mA}$
	V.S.W.R	$\leq 2.0$
	Output 1dB Compression Point	$\geq 0\text{dBm}$
Mechanical	Connector	TNC-K
	Dimension	120*77*32mm
	Mounting Method	Magnet/Screw
Environmental	Operating Temperature	$-40^\circ\text{C} \sim +85^\circ\text{C}$
	Storage temperature	$-40^\circ\text{C} \sim +85^\circ\text{C}$
	Relative Humidity	Up to 95% (Non condensing)
	Ingress Protection	IP67